

2014 소프트웨어공학설계

Structured Design

201111347 김태호

201111356 박준한

201111360 손준익

201111367 여승훈

Index



DFD of Terminal System

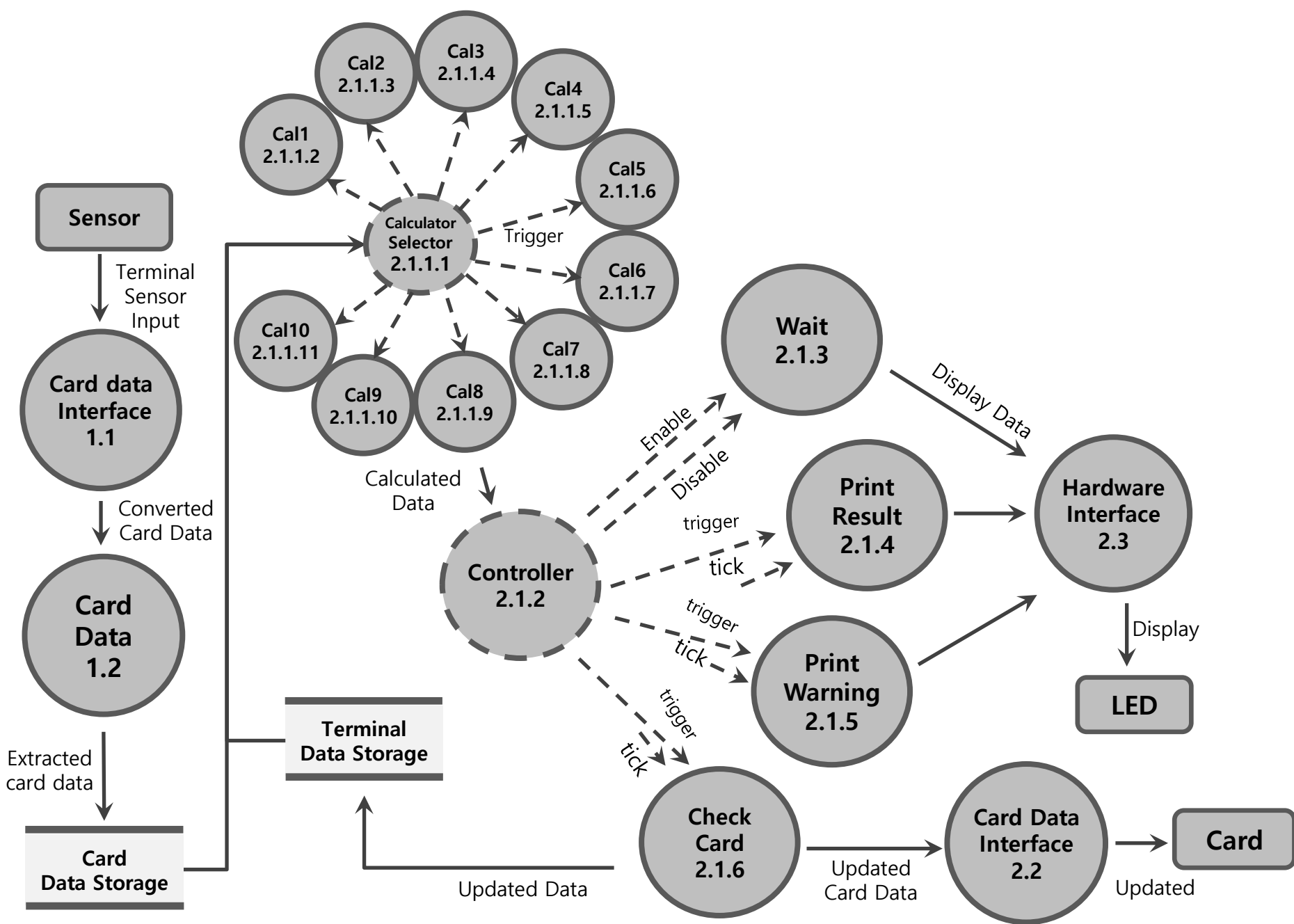
DFD of Settlement System

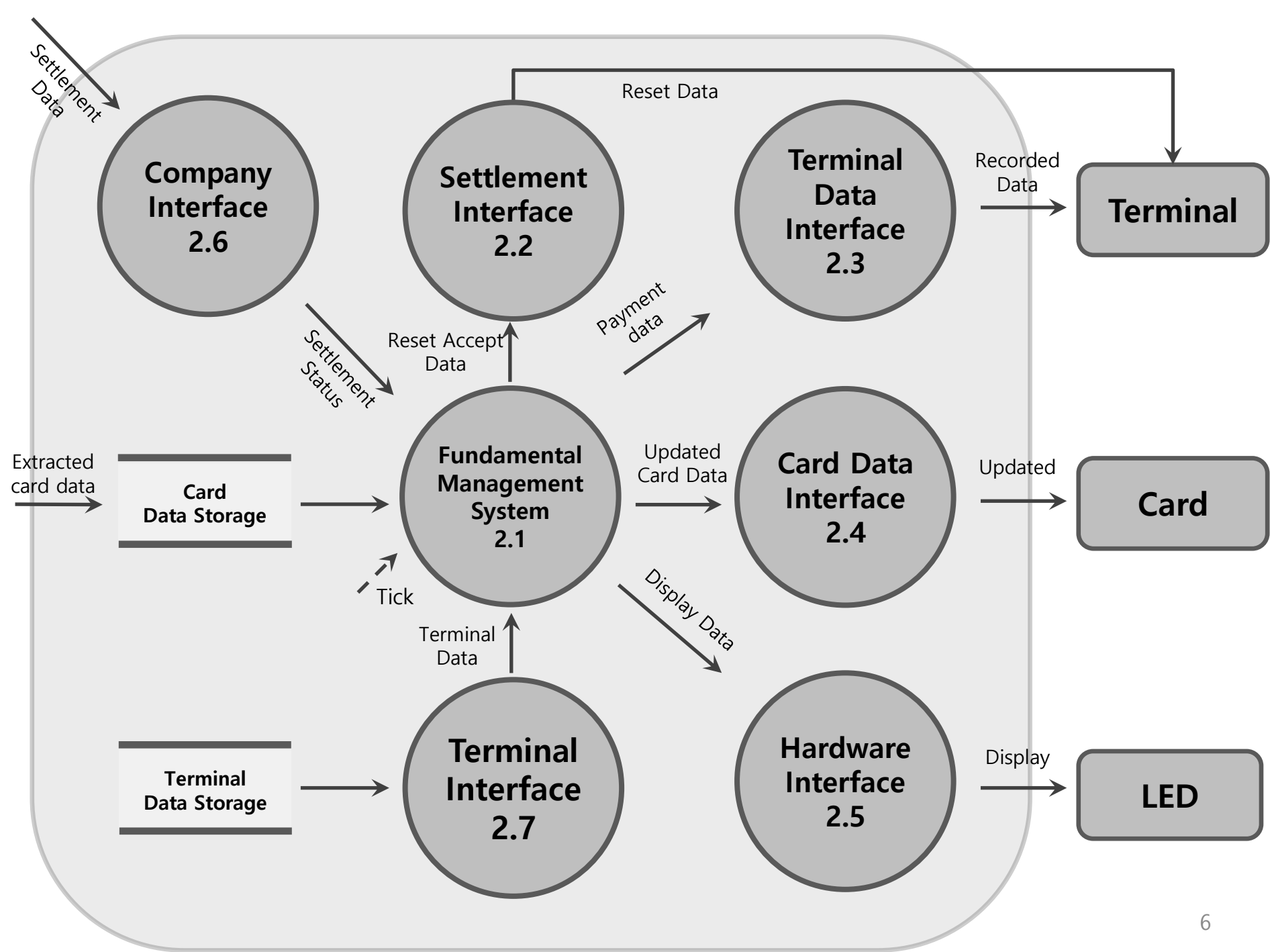
Structured Design of Terminal

Structured Design of Settlement

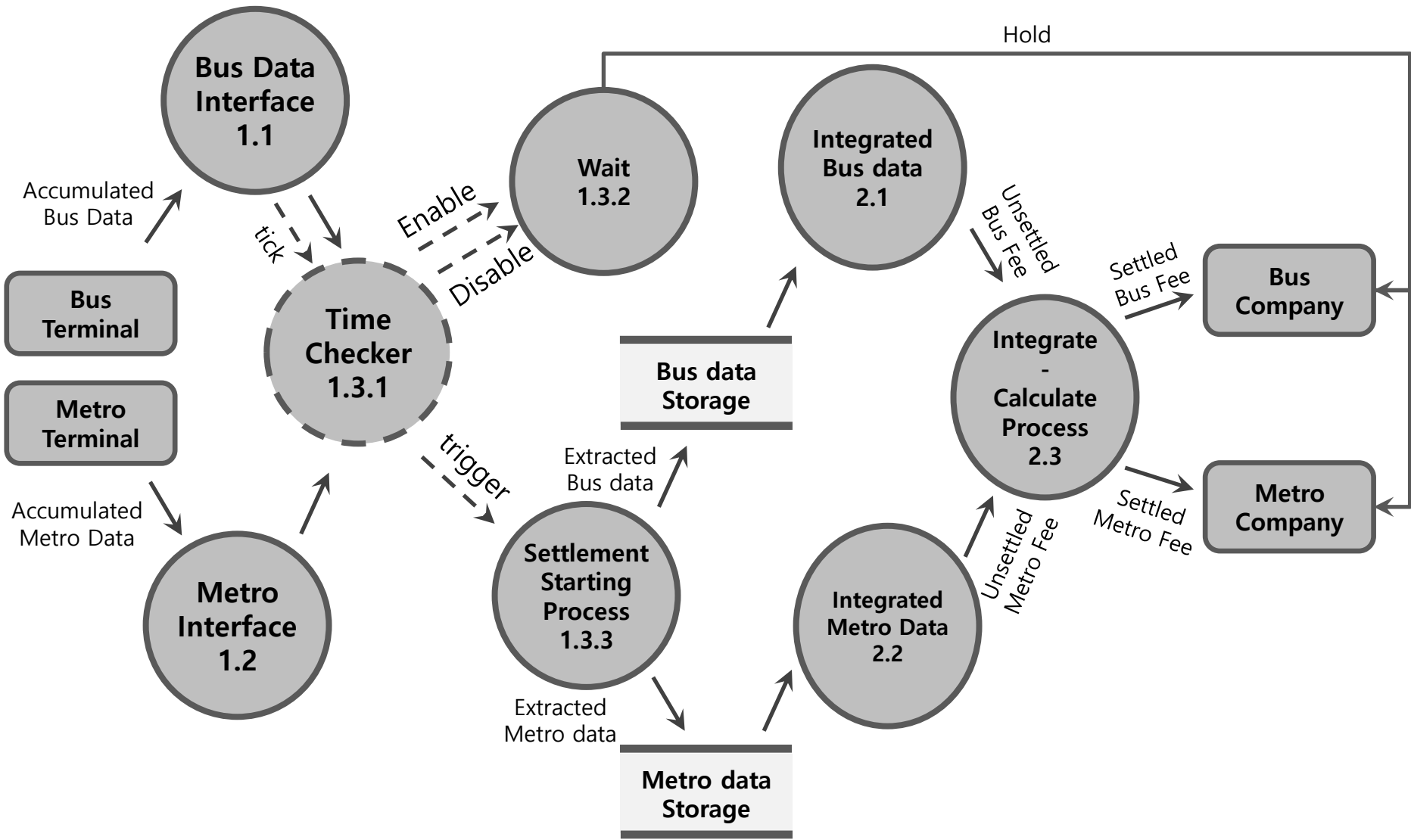
Q&A

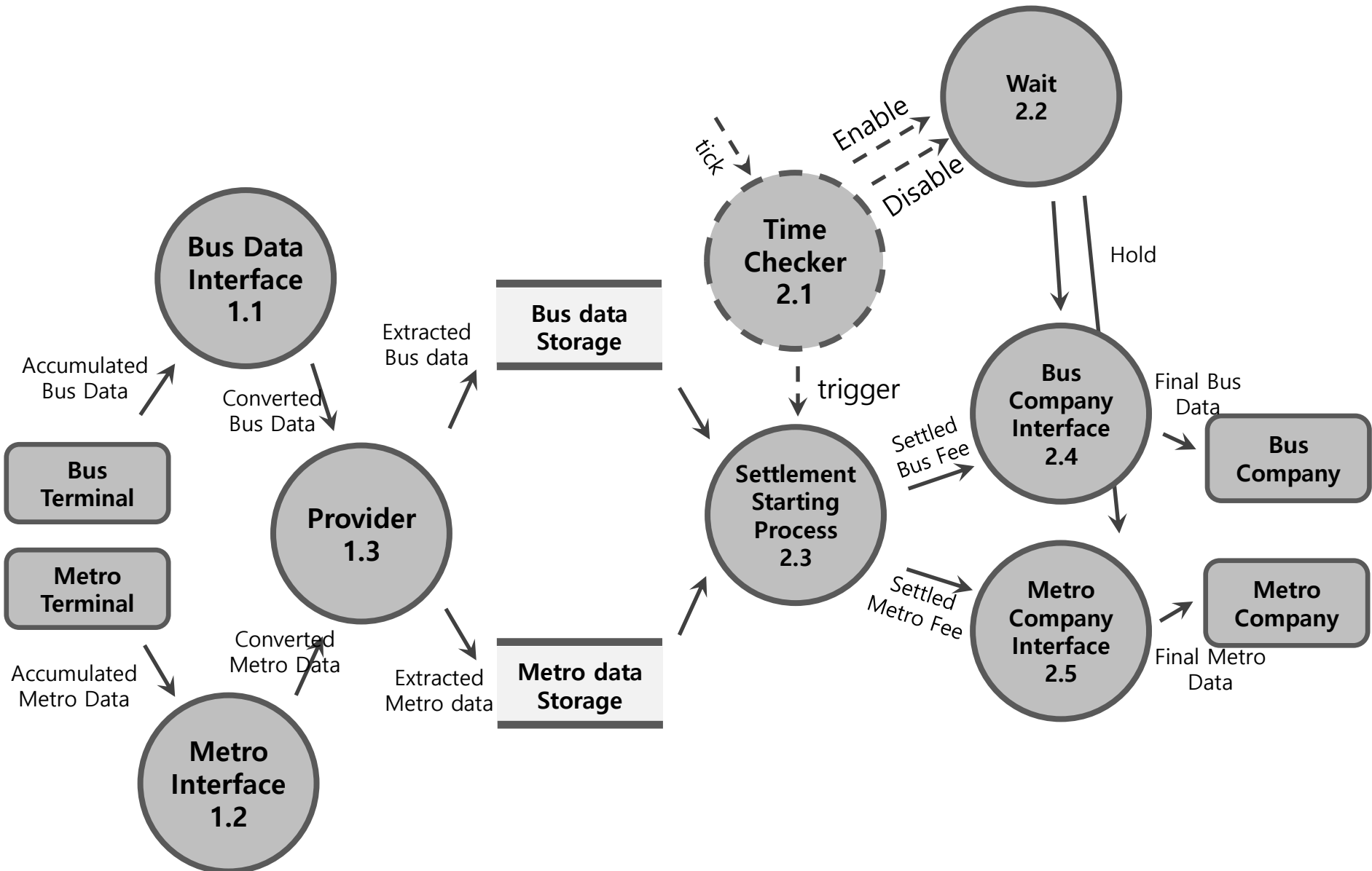
DFD of Terminal System





DFD of Settlement System

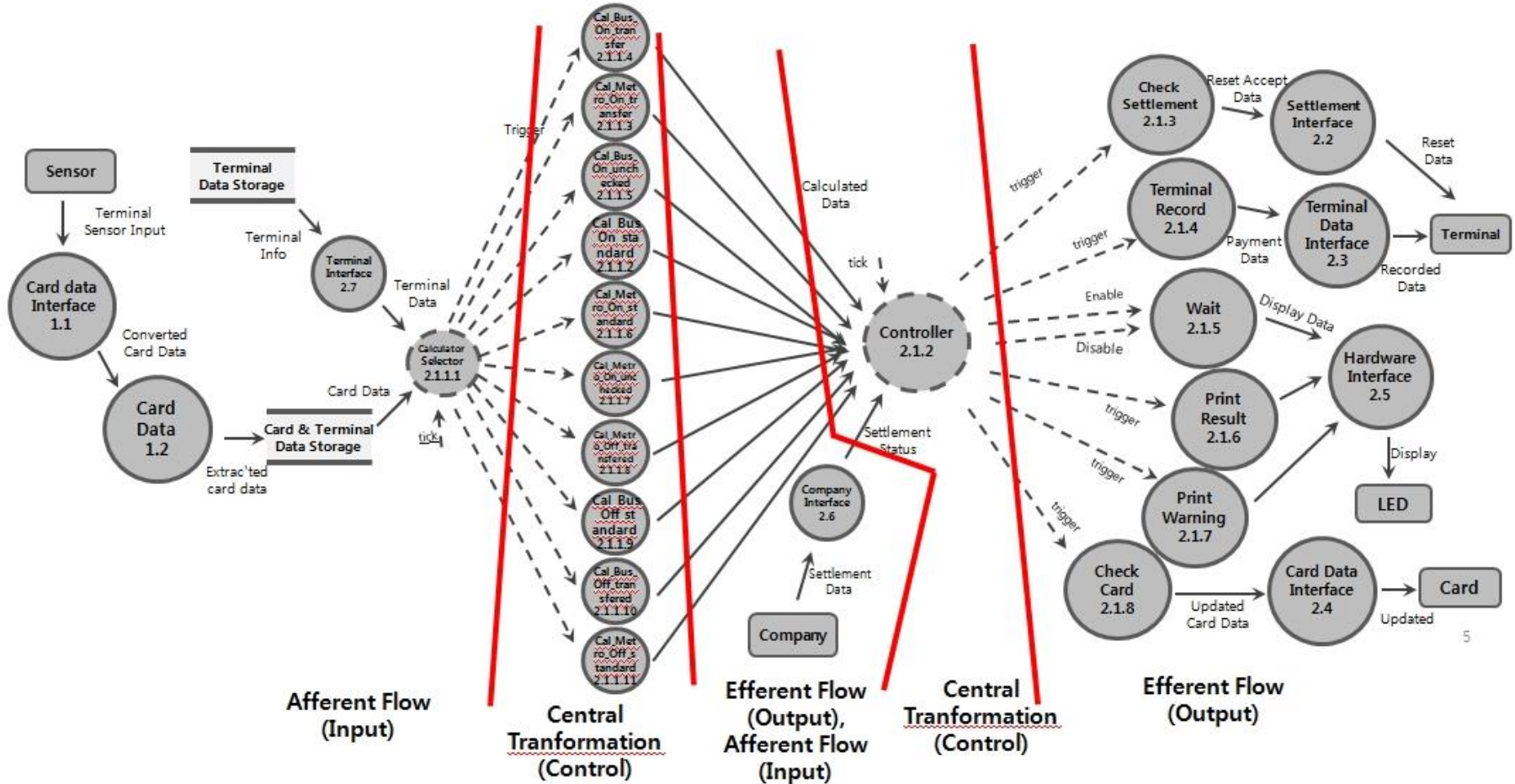




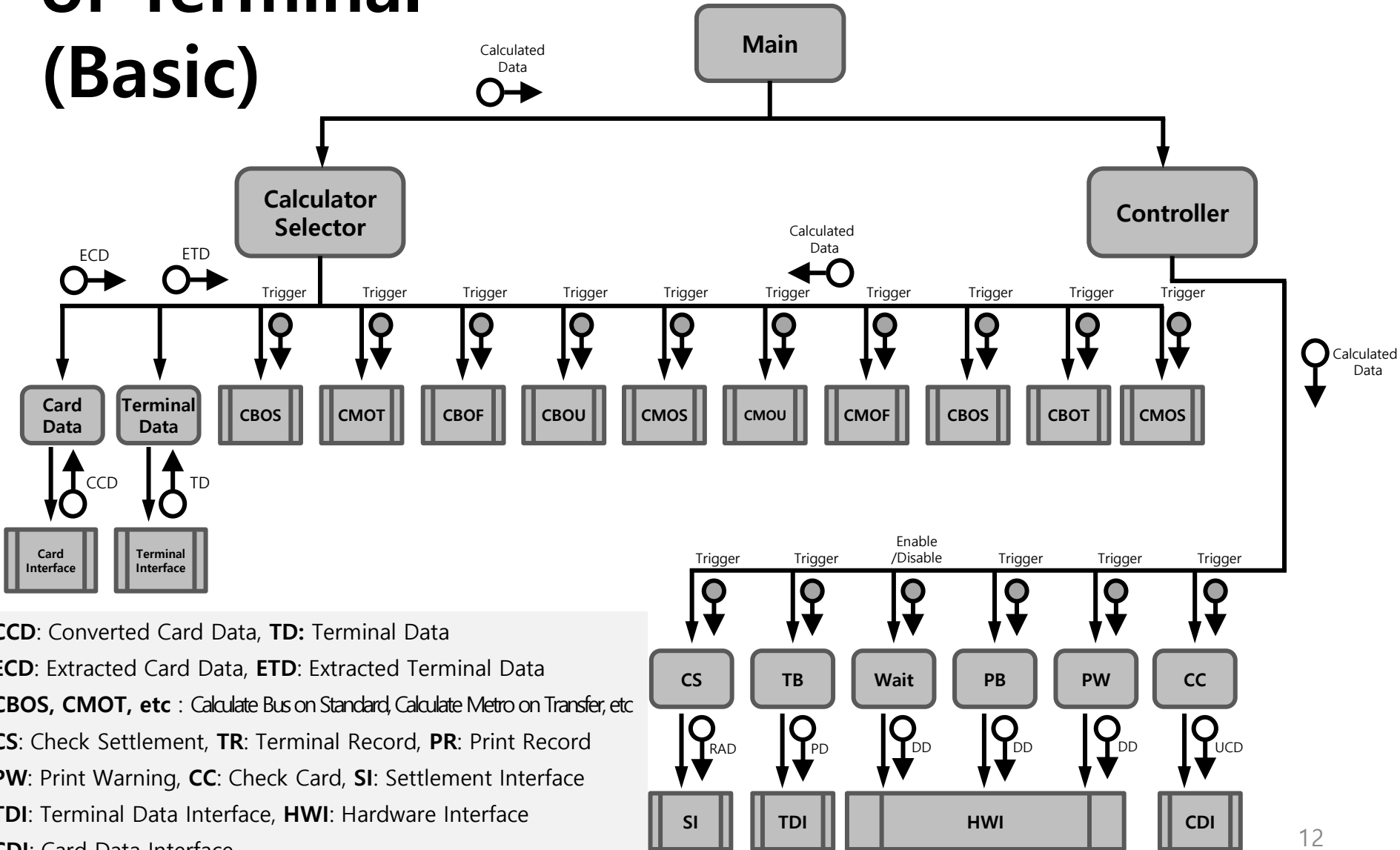
Structured Design of Terminal

Transform Analysis

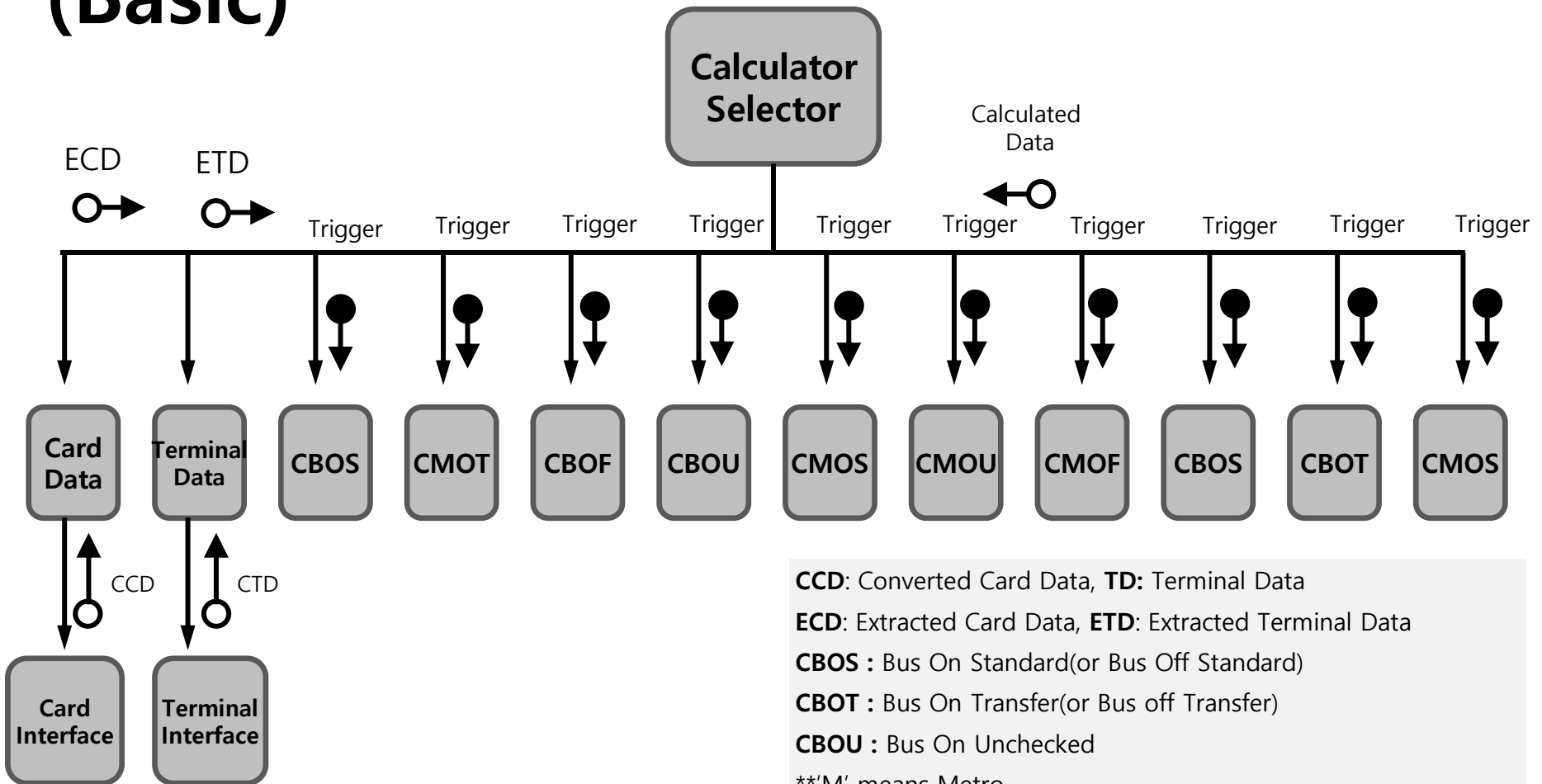
- Terminal



Structured Charts of Terminal (Basic)



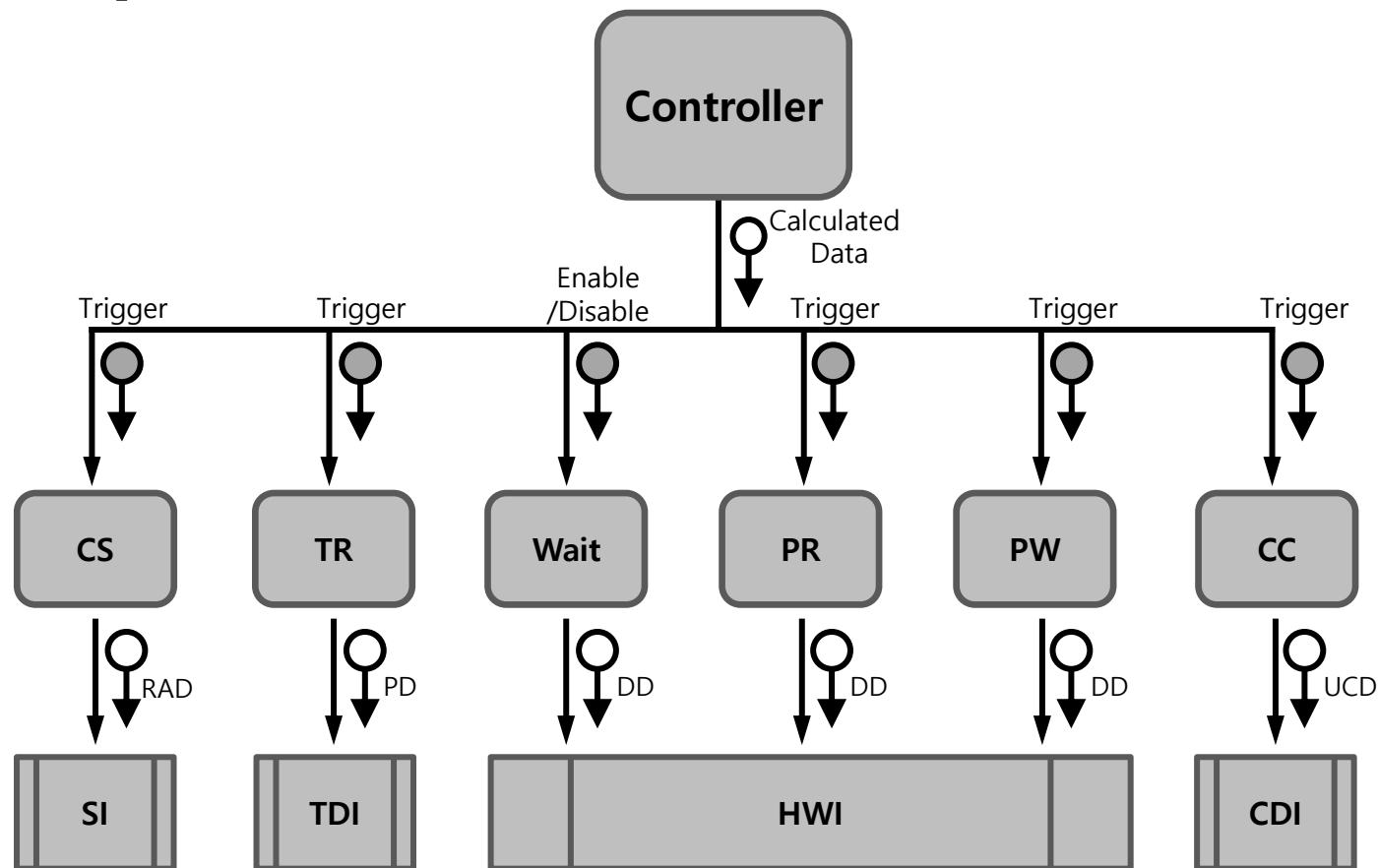
Structured Charts of Calculator Selector (Basic)



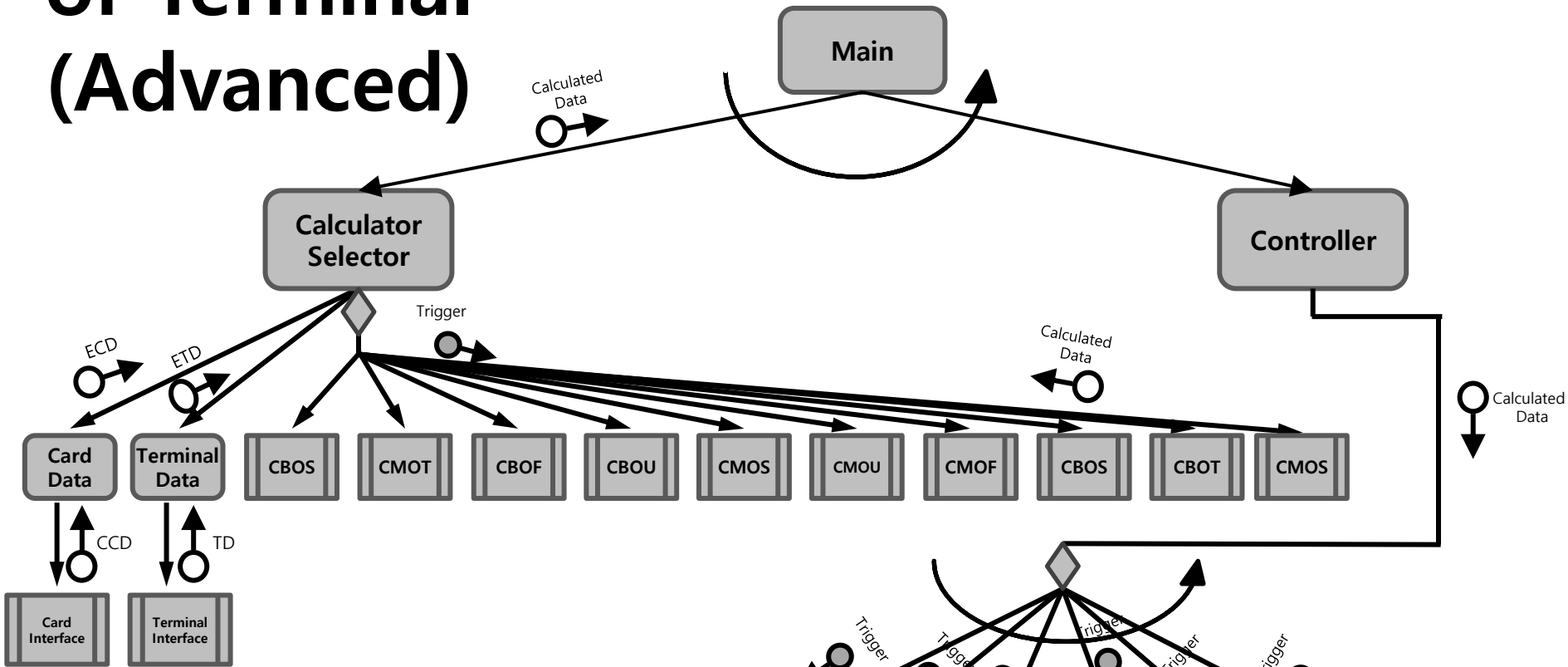
CCD: Converted Card Data, **TD:** Terminal Data
ECD: Extracted Card Data, **ETD:** Extracted Terminal Data
CBOS : Bus On Standard(or Bus Off Standard)
CBOT : Bus On Transfer(or Bus off Transfer)
CBOU : Bus On Unchecked
****'M'** means Metro.

Structured Charts of Controller (Basic)

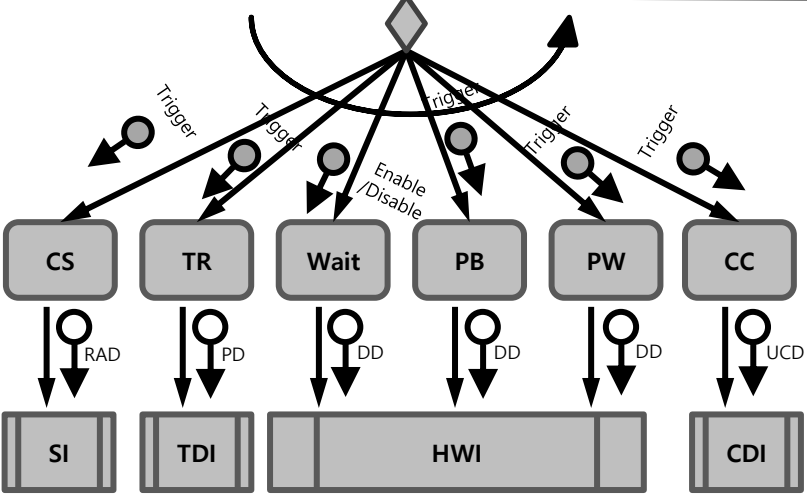
CS: Check Settlement, **TR:** Terminal Record, **PR:** Print Record
PW: Print Warning, **CC:** Check Card, **SI:** Settlement Interface
TDI: Terminal Data Interface, **HWI:** Hardware Interface
CDI: Card Data Interface



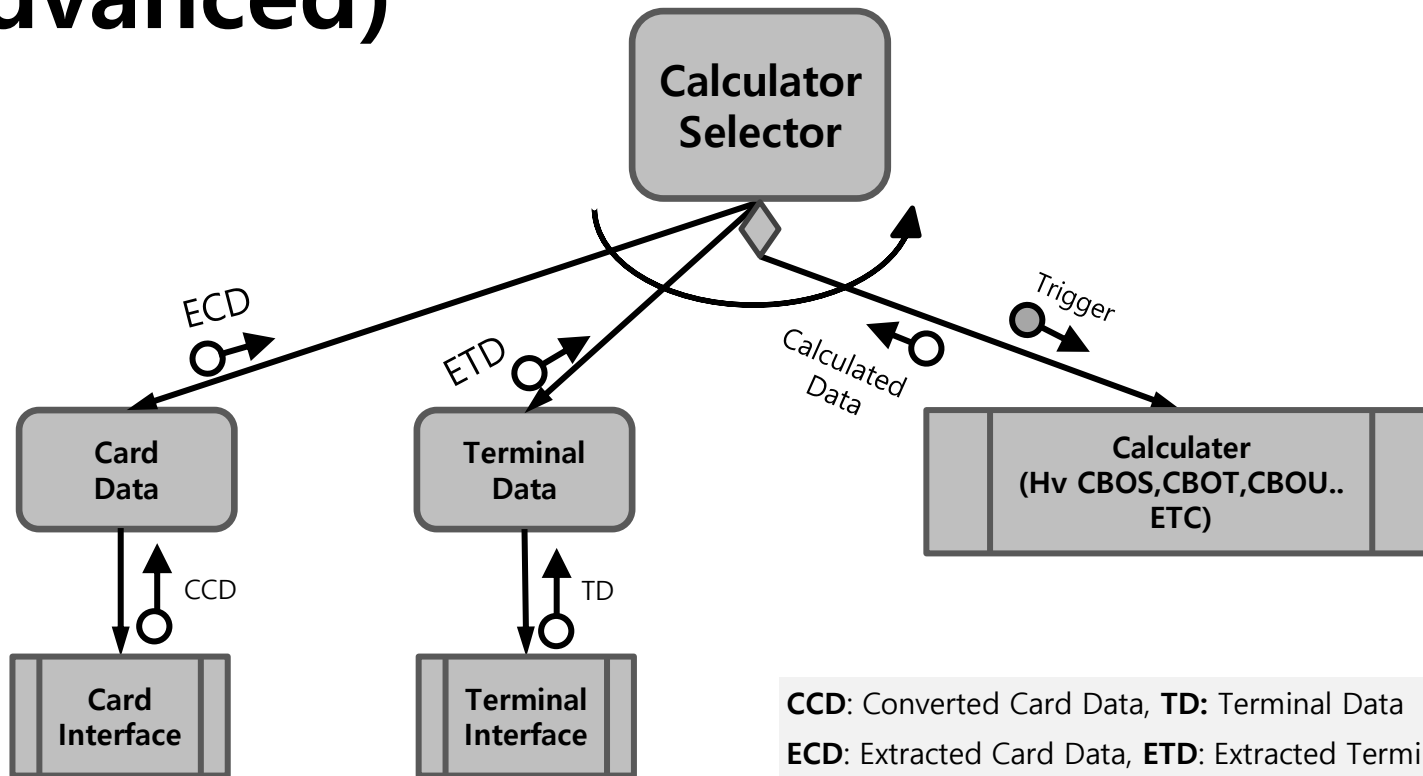
Structured Charts of Terminal (Advanced)



CCD: Converted Card Data, **TD**: Terminal Data
ECD: Extracted Card Data, **ETD**: Extracted Terminal Data
CBOS, CMOT, etc : Calculate Bus on Standard, Calculate Metro on Transfer, etc
CS: Check Settlement, **TR**: Terminal Record, **PR**: Print Record
PW: Print Warning, **CC**: Check Card, **SI**: Settlement Interface
TDI: Terminal Data Interface, **HWI**: Hardware Interface
CDI: Card Data Interface



Structured Charts of Calculator Selector (Advanced)



CCD: Converted Card Data, **TD:** Terminal Data

ECD: Extracted Card Data, **ETD:** Extracted Terminal Data

CBOS : Bus On Standard(or Bus Off Standard)

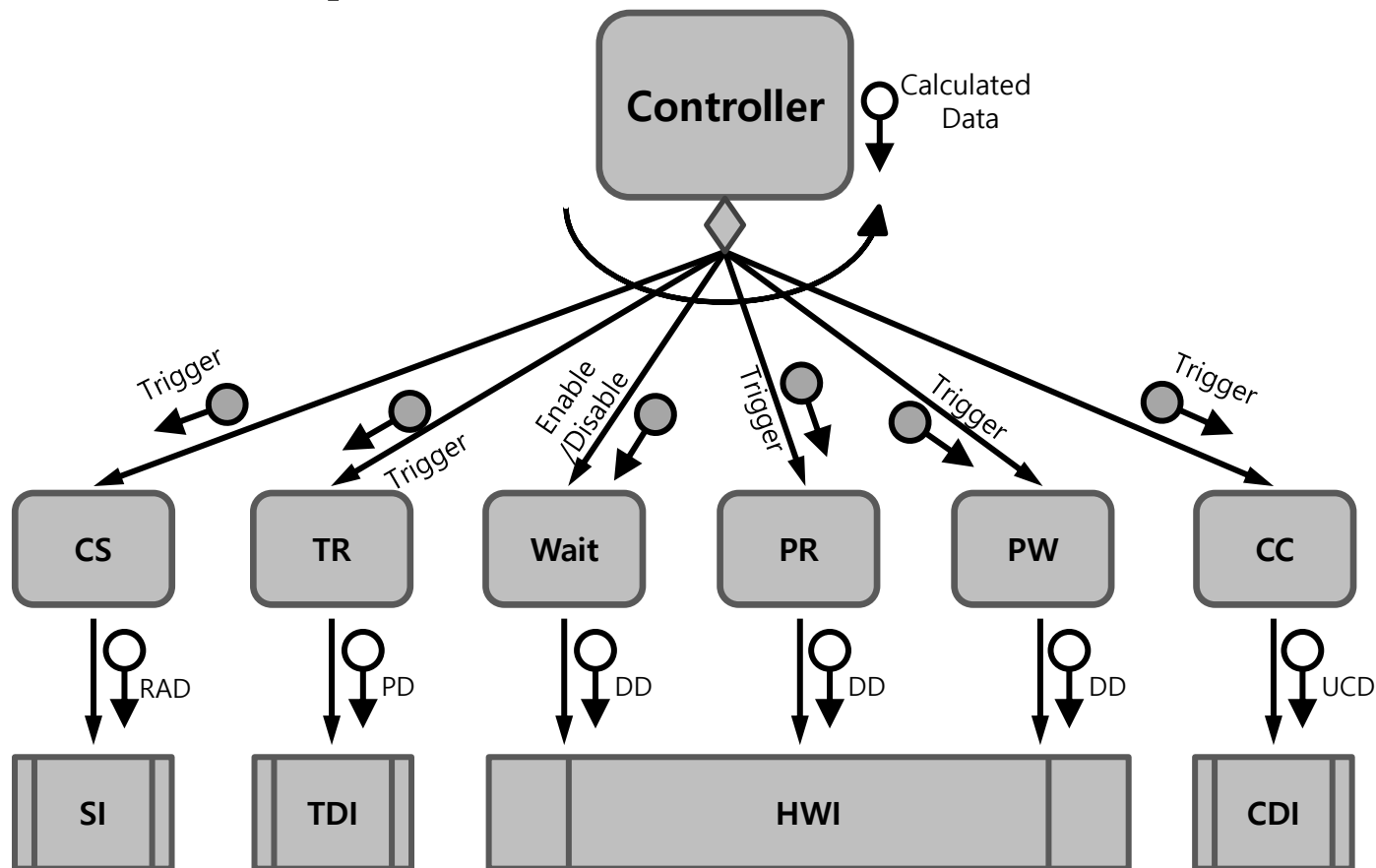
CBOT : Bus On Transfer(or Bus off Transfer)

CBOU : Bus On Unchecked

**'M' means Metro.

Structured Charts of Controller (Advanced)

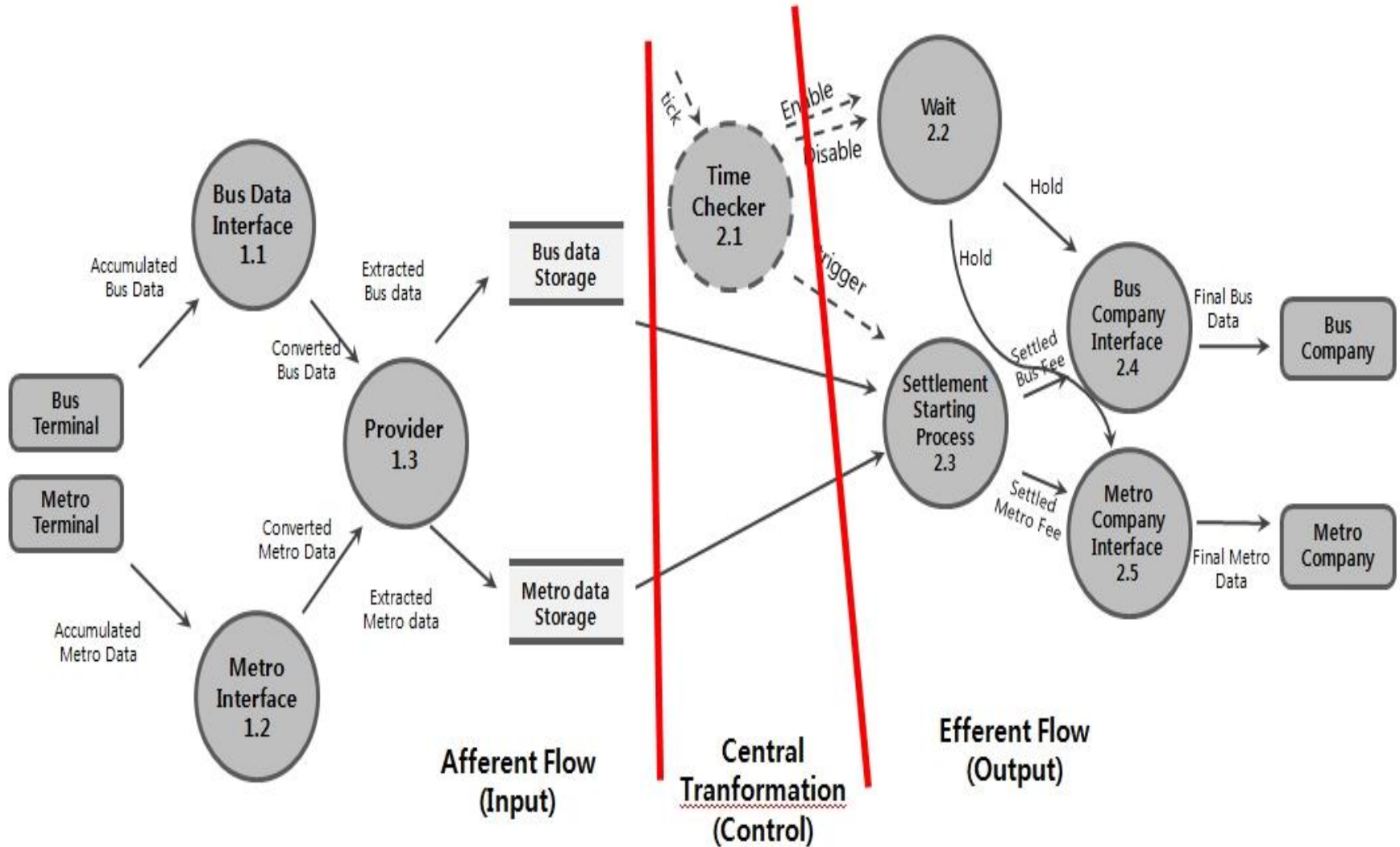
CS: Check Settlement, **TR:** Terminal Record, **PR:** Print Record
PW: Print Warning, **CC:** Check Card, **SI:** Settlement Interface
TDI: Terminal Data Interface, **HWI:** Hardware Interface
CDI: Card Data Interface



Structured Design of Settlement

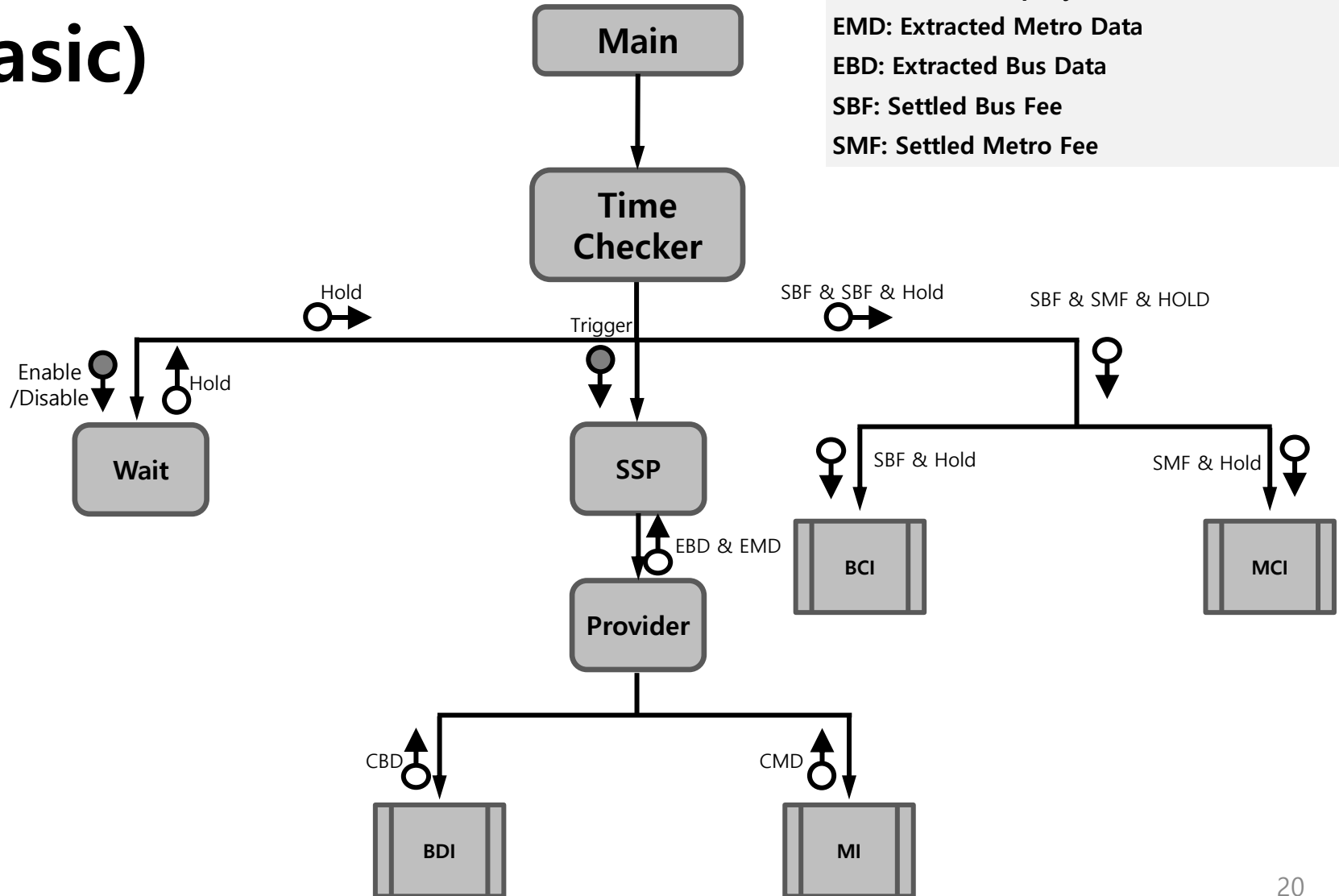
Transform Analysis

- Settlement



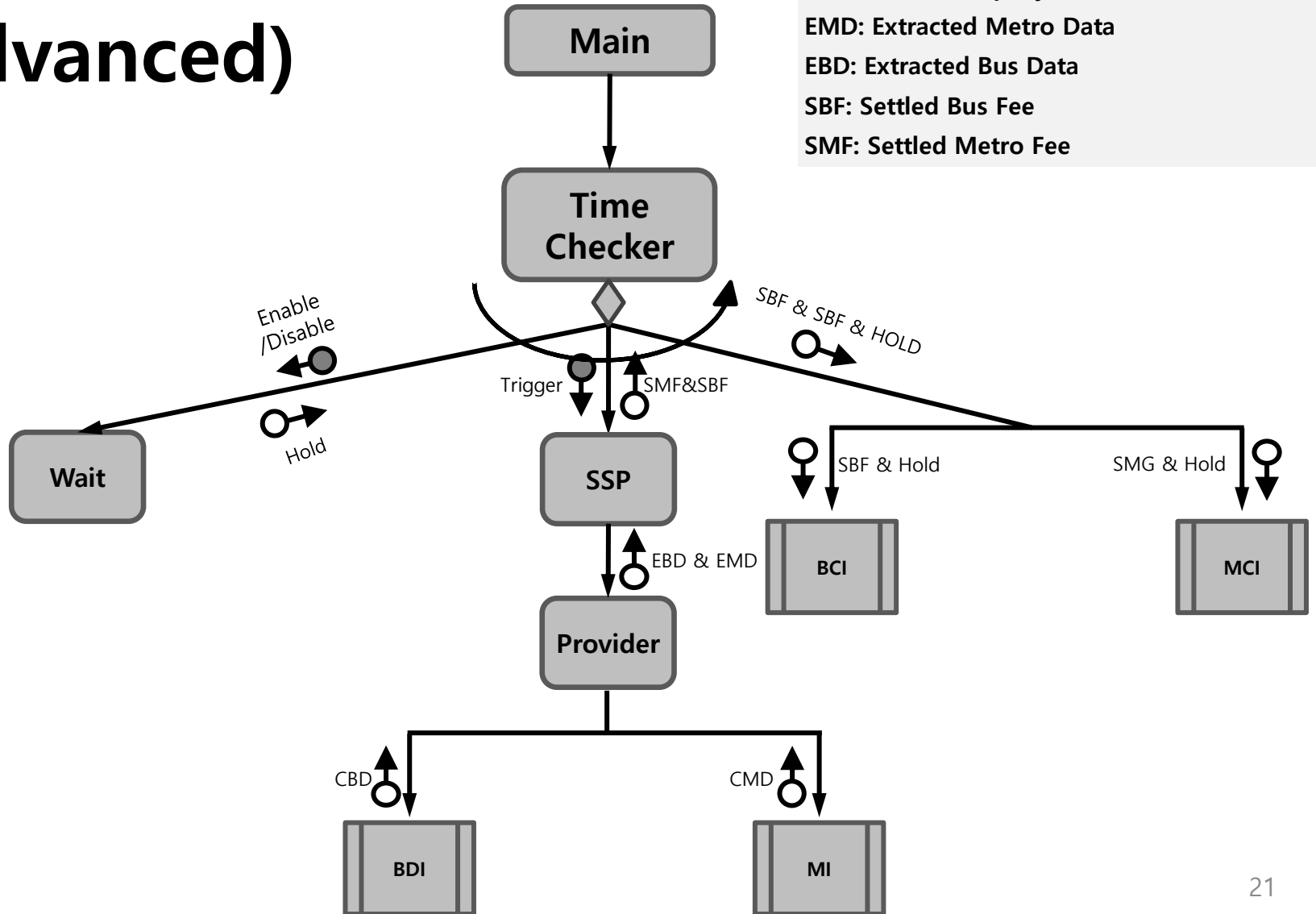
Structured Charts of Settlement (Basic)

SSP: Settlement Starting Process
 BDI: Bus Data Interface
 MI : Metro Interface
 BCI: Bus Company Interface
 MCI: Metro Company Interface
 EMD: Extracted Metro Data
 EBD: Extracted Bus Data
 SBF: Settled Bus Fee
 SMF: Settled Metro Fee



Structured Charts of Settlement (Advanced)

SSP: Settlement Starting Process
 BDI: Bus Data Interface
 MI : Metro Interface
 BCI: Bus Company Interface
 MCI: Metro Company Interface
 EMD: Extracted Metro Data
 EBD: Extracted Bus Data
 SBF: Settled Bus Fee
 SMF: Settled Metro Fee



Q & A